



Higher National Diploma in Engineering (Mechanical/Electrical/BSE)
1st year, First Semester Examination – 2017
ME1102/BSE1105 - Engineering Drawing - (A)

Instructions for Candidates:

Answer all questions

You can use both sides of paper

10 marks are allowed for lettering, dimensions, cages etc.

No. of questions: 03

No. of pages : 02

Time : 03 hours

Q1)

- Draw an ABC triangle with AB = 30 mm and AC = 40 mm and angle ABC = 30°.
- Draw an extended inscribed circle for the triangle that touches the extended sides of BA and BC.
- Mark the point "P" as OP = 160mm ("O" is the center point of the circle).
- Draw the tangent line to the circle from point "P".

(25 marks)

Q2) Draw the following figure 01, to the scale of 1:1. All dimensions are in millimeters.

(30 marks)

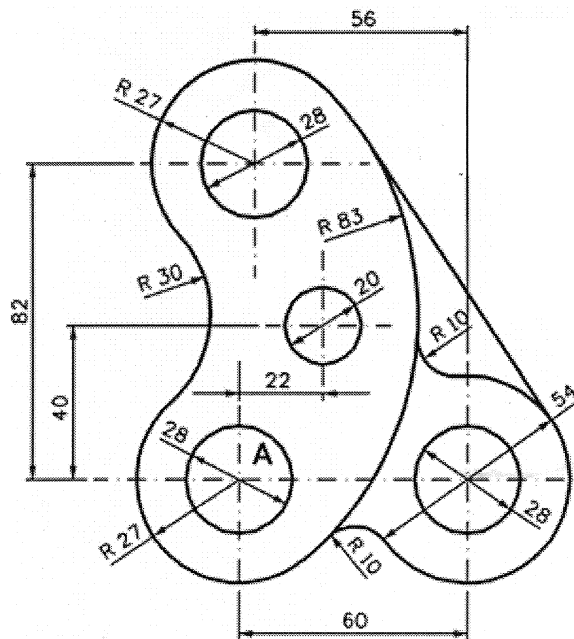


Figure 01

Q3) Following figure 02, shows the pictorial view of a solid object. Draw the following views into 1:1 scale in the first angle orthographic projection. (All dimensions are in millimeters)

- i. Front view (Front elevation) – In the direction of arrow “X”
- ii. Side view (End elevation) – In the direction of arrow “Y”
- iii. Top view (Plan) – In the direction of arrow “Z”

(35 marks)

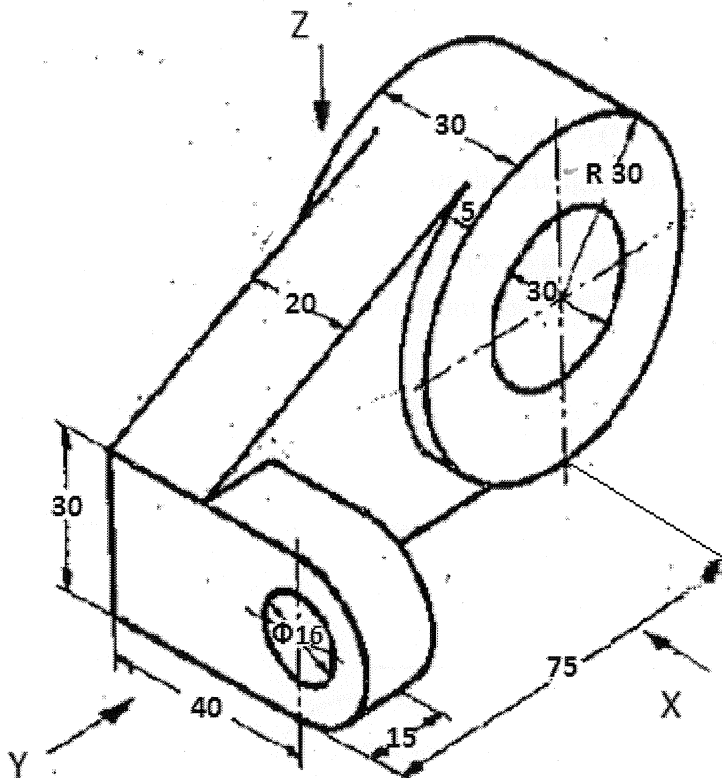


Figure 02